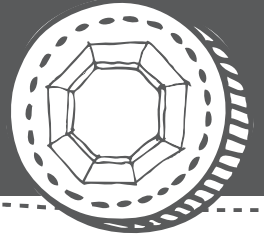


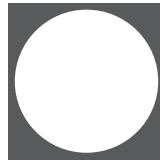
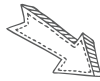
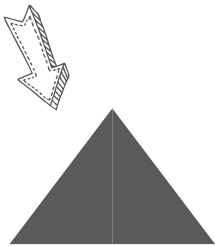
ACTIVITY SHAPES IN THE OCTAGON ROOM LOCATION FLAMSTEED HOUSE



GALLERY OCTAGON ROOM



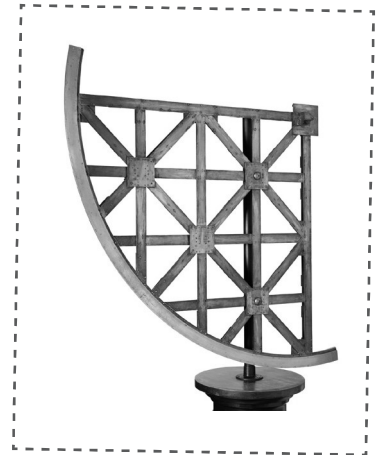
Can you find these shapes in the Octagon Room? ///



Tick them when you find them! ///

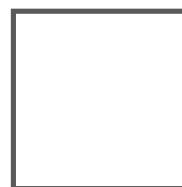
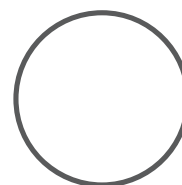
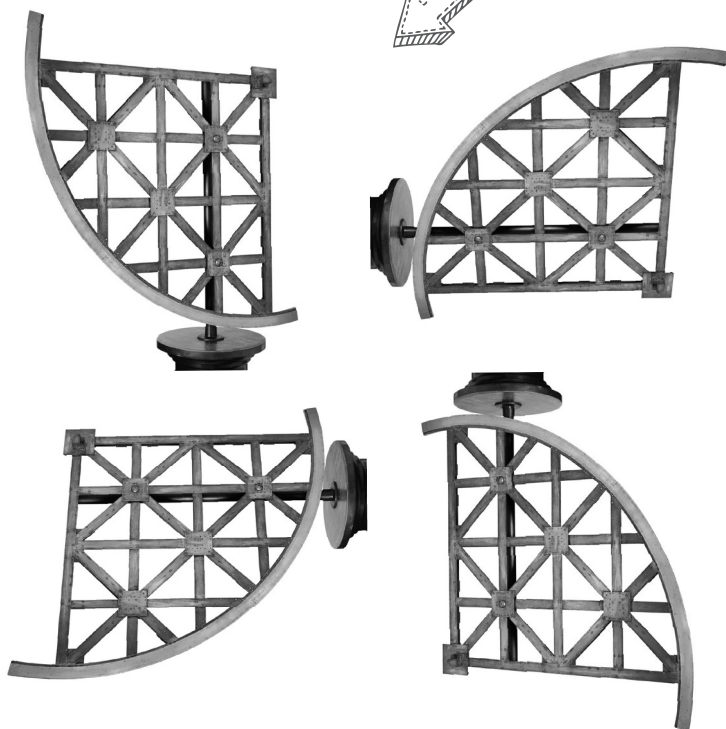


Look for this object.
This helped astronomers
look at the stars. ///



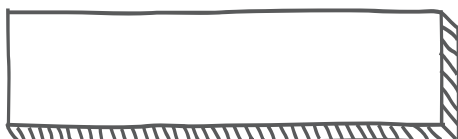
If you had four of these, what simple shape could you make? ///

Tick the right answer. ///



Look through the long telescope pointing out the window.

What animal do you see? ///



The cartoon character you are seeing is called Pluto. This is the name of a very far away dwarf planet. It is so far away from the Sun that it is always freezing cold. A spaceship is on its way to take a picture of Pluto.

How many sides does the Octagon Room have? ///

